

General description

The device GW612110, is a bidirectional communication gateway between KNX protocol and DMX 512 protocol.

This device can work as a DMX master to regulate up to 48DMX channels simultaneously and execute scenes or complex sequences, and also work as a DMX slave in order to send feedback to the KNX home automation system.

Thanks to this gateway it is possible to develop the integration of a DMX device or system into a KNX home automation installation and regulate individually each DMX channel in a simply way like any other KNX dimmer or to program a complex group of commands into several sequences.

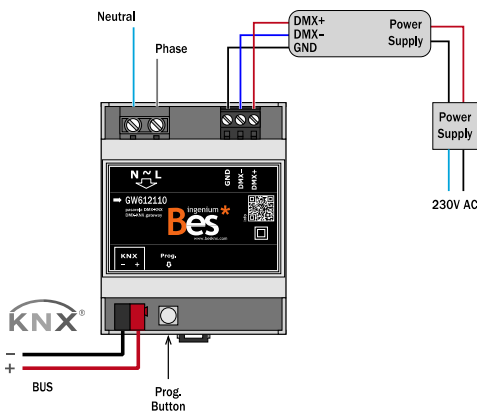
Features

- Bidirectional KNX-DMX gateway: Master or slave working mode.
- Controls up to 48 DMX channels simultaneously.
- Up to 8 scenes with memorization function.
- Up to 8 programmable sequences with the possibility of simultaneous execution.
- Last position memory in case of power failure.

Technical information

Supply	230V AC
Consumption	2.6VA @ 230V AC from auxiliary power supply 5mA from KNX BUS
Dimensions	4 modules DIN rail
Connections	KNX connecting terminal BUS Screw terminal block for power and DMX bus
Mounting	DIN rail
Environment temperature range	Operation: -10° to 55°C Storage: -30° a 60°C Transportation: -30° to 60°C
Regulation	According to the directives of electromagnetic compatibility and low voltage. EN 50090-2-2 / UNE-EN 61000-6-3:2007 / UNE-EN 61000-6-1:2007 / UNE-EN 61010-1

Installation



Remarks

- Feed low voltage lines (KNX bus and inputs) in separate ducting to that of power (230V) and outputs to ensure there is enough insulation and avoid interferences.
- Do not connect the main voltages (230V) or any other external voltages to any point of the KNX bus or inputs.

Info

