

General description

The device GW610300 is a gateway to control lights with DALI protocol in a similar way to any KNX dimmer. It allows controlling a maximum of 64 DALI ballasts in three channels with broadcast commands, that is, all of them simultaneously per channel.

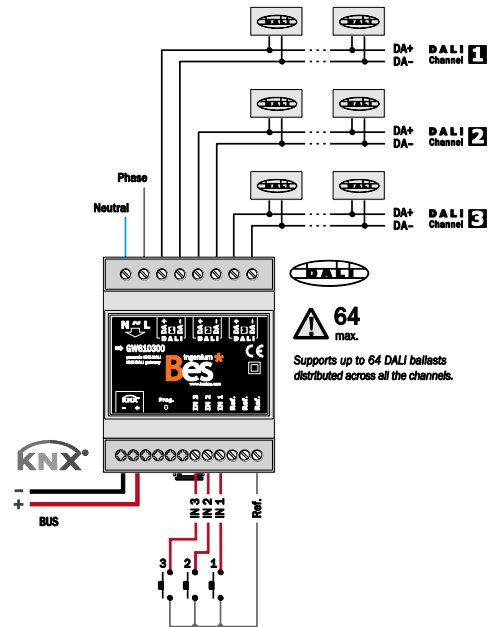
It includes an integrated power supply to feed the DALI bus, it also has 3 inputs to control each channel by conventional pushbuttons and the possibility to configure up to 16 scenes.

With this device it is possible to control the DALI lights via any KNX device such as touch screens, pushbuttons, etc. being possible to use it also as a stand-alone solution, without needing a home automation installation.

Technical information

Main power supply	85 - 265 V _{AC} @ 50 / 60 Hz
Max. power consumption	0,5W @ 230Vac
KNX supply	29Vdc from KNX bus
KNX consumption	5mA from KNX bus
Connections	KNX bus connection terminal. Screw terminal block for main supply and DALI.
DALI voltage	16 Vdc
Max. number of DALI ballasts	Ch. 1 + Ch. 2 + Ch. 3 ≤ 64
Inputs	3 safety extra-low voltage inputs (SELV)
Inputs max. cable distance	30 meters
Mounting / size	DIN rail / 4 modules
Environment temperature range	Operation: from -10°C to 55°C Storage: from -30°C to 60°C Transportation: from -30°C to 60°C
Regulation	According to the directives of electromagnetic compatibility and low voltage. EN 50090-2-2/UNE-EN 61000-6-3:2007/UNE-EN 61000-6-1:2007/UNE-EN 61010-1

Installation



Observations

It is essential to switch off the power and restart the gateway once all DALI ballasts are connected to the channel for proper operation.

Install low voltage lines (KNX bus and inputs) in a ducting separated from the power (230V) and outputs lines ducting to ensure there is enough insulation and avoid interferences.

Do not connect the main voltages (230V) or any other external voltages to any point of the KNX bus or inputs.

More information

