

General description

CT431620 is an actuator composed of 16 potential-free relay outputs (dry contact).

Each output could work independently or simultaneously in different modes: binary outputs, blinds, fan-coils or thermo-valves.

It also has up to 8 arithmetic and logic units (UAL), as well as up to 8 timers/counters that allow programming complex logic operations, timings, counters, etc. Using internal or external variables.

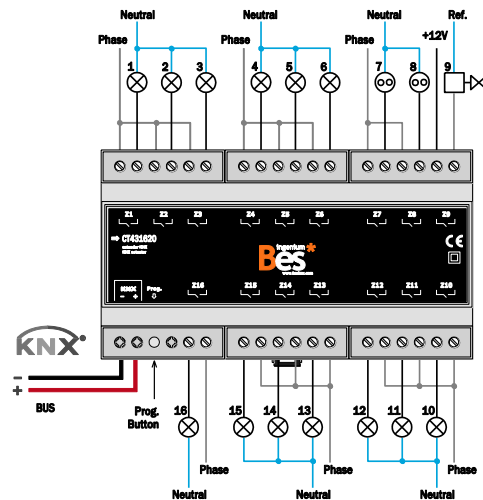
Characteristics

- Its 16 outputs allow to control 16 on/off electrical circuits, 8 blinds (2 outputs for one blind motor: up phase and down phase) or 4 fan-coil.
- The cut off capacity is 16A@230V_{AC} / potential free relay output. If necessary, insert a contactor to control higher power circuits.
- Last position memory in case of power failure.

Technical information

Supply	29Vdc from KNX BUS
Consumption	9 mA from KNX BUS
Mounting	DIN Rail (6 modules)
Connections	KNX connecting terminal bus Screw terminal block for inputs and outputs.
Outputs	16 digital outputs (potential-free relay) 16A@230V _{AC} cut-off capacity.
Breaking power	16A @ 230Vac
Environment temperature range	Operation: from -10°C to 55°C / Storage: from -30°C to 60°C / Transportation: from -30°C to 60°C
Regulation	According to the directives of electromagnetic compatibility and low voltage. EN 50090-2-2 / UNE-EN 61000-6-3:2007 / UNE-EN 61000-6-1:2007 / UNE-EN 61010-1

Installation



Observations

Install low voltage lines (KNX bus and inputs) in a ducting separated from the power (230V) and outputs lines ducting to ensure there is enough insulation and avoid interferences.

Do not connect the main voltages (230V) or any other external voltages to any point of the KNX bus or inputs.

QR Code

